



**FLIGHT**  
DENTAL SYSTEMS

DENTAL **LIGHTS**



THE RESPONSIBLE LIGHT

## HIGH TECHNOLOGY FOR A PERFECT VISION

The aim of a dental light is to provide appropriate illumination levels in the treatment area assuring the professional and patient's comfort. The quality of light is not only essential for a correct visualisation of surgical field and for a true perception of colours, but also for the influence that light plays on the physiological processes of the observer. Several studies have demonstrated that the light source characteristics, in terms of colour temperature and light intensity, can influence the concentration level, improving the execution of mental activities and reducing the possibility of error. All these aspects represent the non-visual effects of lights.

The evaluation of a dental light shall involve mainly the quality of its illumination which is the result of a perfect combination between light intensity (lux), colour temperature (Kelvin) and colour rendering index (CRI).





## FLIGHT DENTAL LED LIGHTS

Flight Dental Systems is a Canadian owned and operated dental equipment manufacturer. The company's philosophy is to produce innovative products with exceptional design, reliability and quality at an affordable price. All products are meticulously designed and engineered to ensure every detail from the aesthetics to the ergonomics and functionality are taken into consideration to ensure the user is getting the best product possible at the best price possible.

All Flight lights are engineered with the patient and operator in mind. The shadow free dental operating lights provide bright illumination and the newest innovation in dental LED lighting. The Flight line of LED lights provides an increased performance from traditional halogen lighting. The LED bulbs offer more precise light patterns, longer lifespans, higher efficiency and no heat production. Flight's dedication to LED technology and innovation has allowed better solutions for dental lighting to be created with the attention to quality of light and protection of the environment.



LED Lamp Consumption	<20 watt
Input Voltage:	110/220V, 50/60 Hz
Output Voltage:	17- 24Vac
Color Temperature:	4200- 6000 K (5 Adjustable Steps)
Light Intensity (Lux):	High 35,000; Low 8,000 (5 Adjustable Steps)
Focal Length:	27.6" (70 cm)
Light Pattern:	2.8" x 5.6" (7cm x 14cm)
CRI (Color Rendering Index)	>90%
Light Source	8 LED
Emission Spectrum	380-780 nm

The innovative and streamlined design of the G.Comm IRIS LED light has been praised by designers for its simplicity yet modern look. The light is developed from the same great pedigree as all the other G.Comm products but some key improvements to the LED optics and functionality of the light distinguishes this light above the rest. The IRIS LED features a new touchpad control with 3 preset settings as well as color temperature adjustment from 4,200K to 6,000 K and light intensity adjustment from 8,000 to 35,000 Lux. The LED light has a CRI of 90+ and creates a great operating light that can easily switch from natural daylight, surgical and cure-safe mode with a touch of a button.





# IRIS LED LIGHT

REFLECTIVE LIGHT

PRECISE

SHADOW FREE

## STANDARD FEATURES

- Free Movement as a result of 3rd axis
- Low Energy Consumption <20w
- No Fan, less noise and improved working conditions
- Low Heat Production
- LED life expectancy is about 50,000 hours
- Patented Color Temperature Adjustment
- 3 Modes (Cure Safe Mode, Surgical Procedures, Color Matching Mode)
- Made in Italy



### Anti-polymerisation mode

3000 K, minimises blue emission, reducing the compound curing speed;



### Surgical treatment

4500 K, optimises the colour contrast on the soft tissues, better distinguishing the shades of the gums, blood and periodontium;

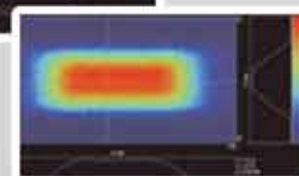
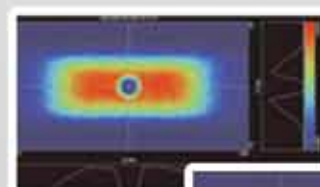


### Colour capture

5500 K, creates a combination of cool and warm LEDs that maximises the colour rendering index, facilitating the dentist's choices during tooth replacement operations.



Autoclavable Handle





LED Lamp Consumption	<20 watt
Input Voltage:	110/220V, 50/60 Hz
Output Voltage:	12- 24VAC
Color Temperature:	5500K
Light Intensity (Lux):	High 30,000; Low 8,000
Focal Length:	27.6" (70 cm)
Light Pattern:	3.15" x 6.3" (8cm x 16cm)

The Torch LED Light features an advanced LED optic core using 4 Direct LED lights to create a perfect shadow free pattern. The LED light produces 30,000 Lux of power and uses a hands free operation to maintain asepsis. The high color rendering index focuses the LED using a precise spherical optic lens to provide the optimal lighting in the oral cavity. The light intensity is adjustable from 8,000 to 30,000 lux. It uses very little energy and creates very little to no heat to cause discomfort to the patient. The Torch LED is a great upgrade from your traditional halogen light. The difference in light intensity and quality compared to your halogen light will be drastically evident with the Torch LED light.



## LED VS. HALOGEN

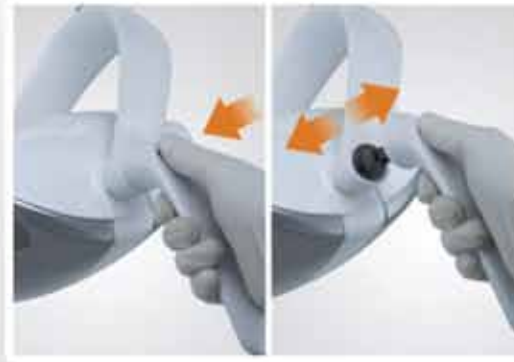
LED Lamp Consumption	LED Lights	Halogen
Life Expectancy:	50,000 Hours (10 Years)	3,000 Hours (1 Year)
Bulb Replacement Cost:	No replacement Necessary	\$500-\$1000
Temperature:	Cool, White Light	Hot, Bright, Yellowish Light
Heat Production:	None	85% of Emitted Energy in the form of Radiation (Heat)
Energy Consumption:	<20 watts	Up to 150 watts



# TORCH LED LIGHT

## STANDARD FEATURES

- Direct LED Light Bulbs- 50,000hr life expectancy
- Energy Efficient, No Heat Production
- Triple Axis movement of Light Head
- Sensor control for on/off of light
- Removable handles for cleaning
- Shadow less Rectangular Pattern





Camera	
Sensor	1/2.8" CMOS
Resolution	1920 x 1080px (Full HD)
Zoom	30x Optical
Working distance	From 35 cm to 80 cm
Zoom speed	From Wide to Full Zoom (with autofocus) in 4.6s
Video output	Y/Pb/Pr Signal, Progressive or interlaced, scan up to 1/60s, Frame out up to 30 fps
White balance	Automatic from 3000K to 7500K
Brightness Balance	Automatic with Wide Dynamic Range Mode
Image Stabiliser	90% Vibration Correction up to 10Hz

The iView Light and Camera is an innovation from G.Comm that combines the IRIS Light with a FULL HD Camera system to create the perfect union of light and vision. This new technology will allow practitioners to magnify their field of view and see each detail indirectly on a monitor allowing them to communicate better with their patients and to work more ergonomically with indirect dentistry. The camera system can capture, record and live stream and can be used for training, teaching and education applications. The iView is truly an innovation in the world of dentistry and the applications for it as you will discover are limitless.

My light  for iPad



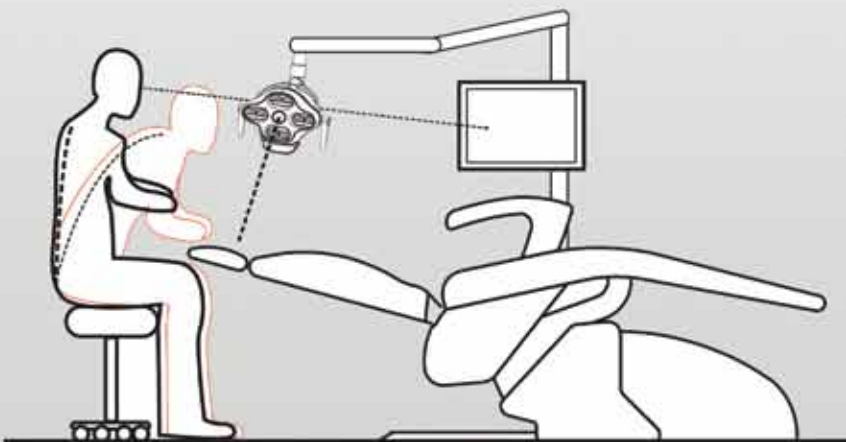
# iVIEW CAMERA & LIGHT



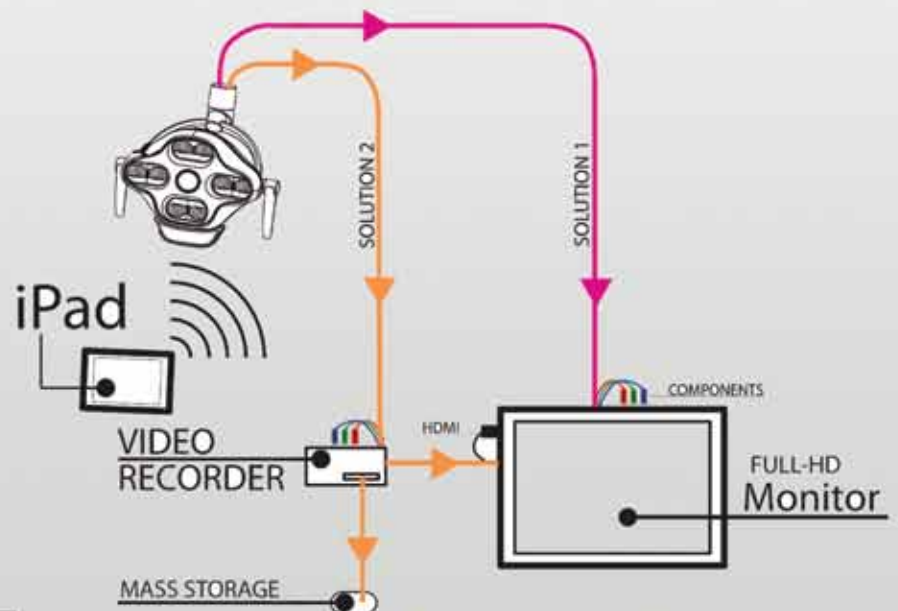
## STANDARD FEATURES

- Full HD (1920 x 1080px) Camera with 30x Optical Zoom
- Built in WiFi control for light and camera through an iPad App- My Light
- Freeze Frame and Recording Capability
- Provides a detailed image of the operating area
- Improves ergonomics with indirect dentistry and reduces strain on back, shoulder and spinal cord
- Relieves eye strain by allowing the camera to focus in on a specific area
- Allows the multimedia documentation of procedures in high definition
- Live streaming capabilities, excellent for conferences, teaching schools hospitals and university lectures
- Improves and facilitates better communication with patient
- Allows better communication during diagnosis and allows better education for patient by providing real-time video streaming

maximum light quality



more ergonomic less stress



record, document, share

Light and Monitor Option P/N: TL-1006I



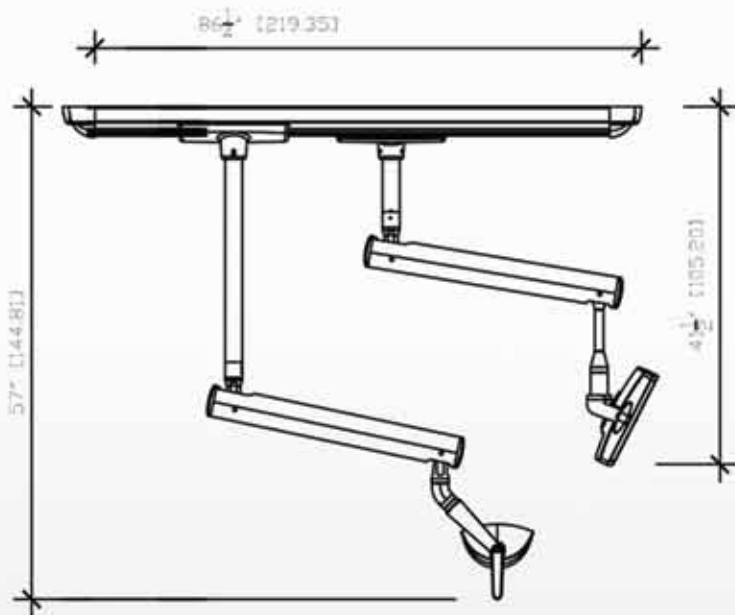
**AVerMedia®**

### Optional Media Box for Multiple Inputs



The Dual Track light is the only system on the dental market that allows the user to move each track independently from the head of the chair to the toe of the chair without any obstruction. The "by-pass" system was designed to allow added flexibility and versatility compared to traditional track lights. When used with the monitor and light option it allows the user to position the light perfect over the patient and also allows the monitor to double as a means of patient education with the ability to show x-ray images or intraoral images on the screen conveniently located in front of the patient or to watch movies/TV. The options are limitless with a dual track mount system.

# DUAL TRACK LIGHT SYSTEM



## STANDARD FEATURES

- Provides audio, visual, and illumination solutions
- Dual Carriage "By-Pass" system enables correct placement of monitor and light
- Ease of operation of the balanced monitor arm offers versatility and flexibility
- Single handed movement of both trolley for correct positioning in both supine and upright position
- Dual LED Light is an Option
- Optional Avermedia Box for Multiple input Connections

### Monitor Tilt



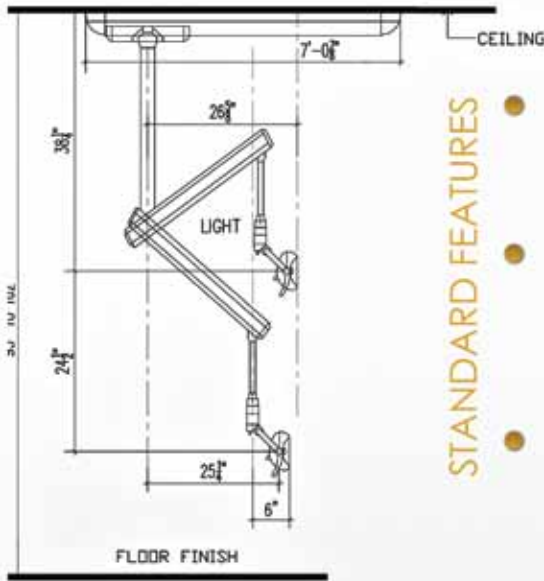
### By-Pass System



Dual Light Option P/N: TL-10071

Track Systems Monitor	17" – 19" square Monitor – Includes HDMI Connection ONLY – If Require VGA or DVI please Specify
Monitor Mount Design	Fits monitor with 75mm or 100mm VESA mount
Max Monitor Weight	17 lbs
Monitor Arm Pre-Wiring	1) Low Voltage Barrel Connector, HDMI Over Cat 5/6 cable for Audio and Video
Test Standard Markings	EN60601-1, UL 60601-1, CSA c22.2 #601.1 markings "cULus"

# SINGLE LED TRACK LIGHT



## STANDARD FEATURES

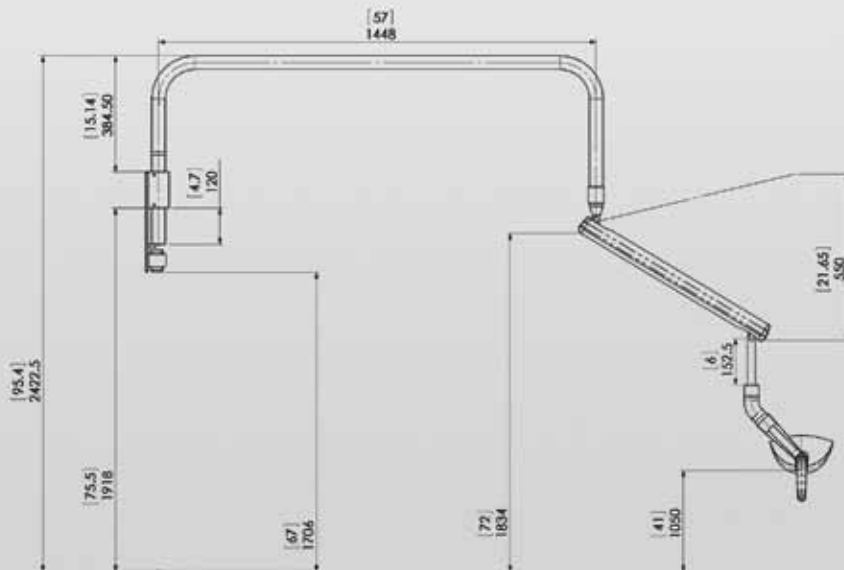
- Provides illumination solutions with flexibility to position in both supine and upright positions
- Track system has the smoothest motion in its category with a aluminum extruded frame
- Balanced Light arm allows single handed movement from front to back



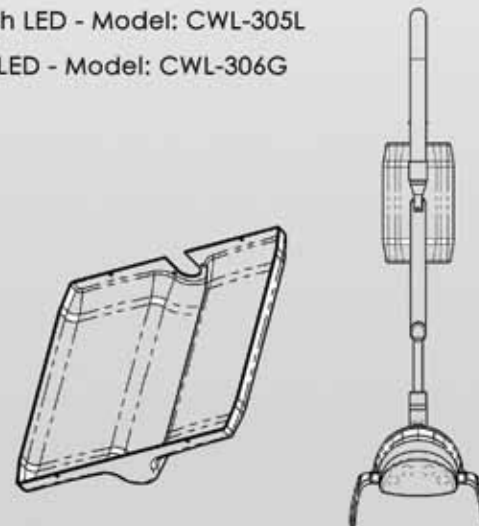
IRIS Single Mount Track Light  
- Model: TL-1005I  
Torch LED Single Mount Track Light  
- Model: TL-1005T

The single track light is constructed using the same base as the popular dual track system. It is available as a single track light or a single track monitor option. The stability and smoothness of the track exemplifies this system and the ability to maneuver the track system with a single hand.

# WALL/CABINET MOUNT LIGHT



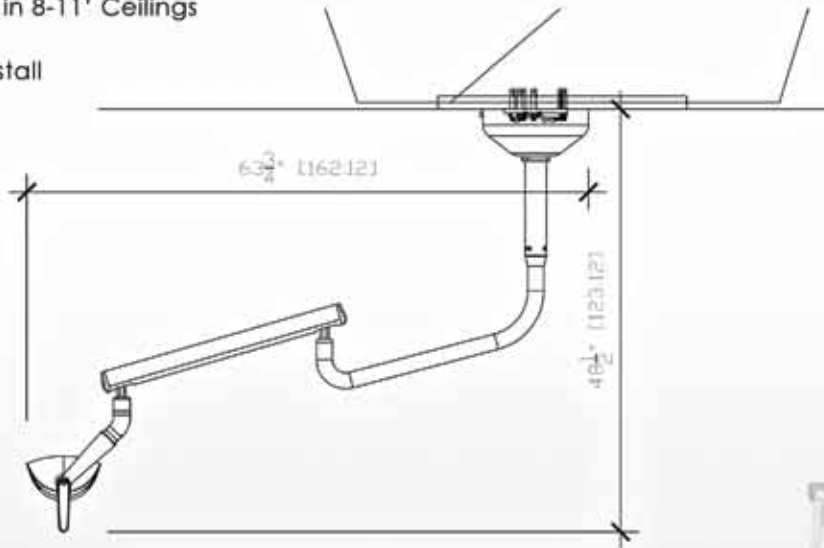
Torch LED - Model: CWL-305L  
IRIS LED - Model: CWL-306G



# CEILING MOUNTED LIGHT

Available in 8-11' Ceilings

- Easy to Install



Model:CL-306G – IRIS

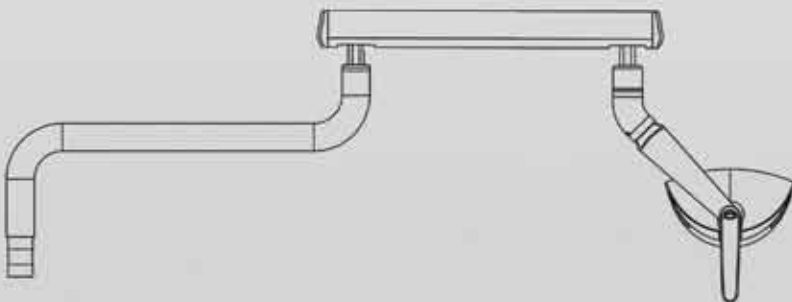
Model:CL-305F - Torch



# CHAIR MOUNTED LIGHT

STANDARD  
FEATURES

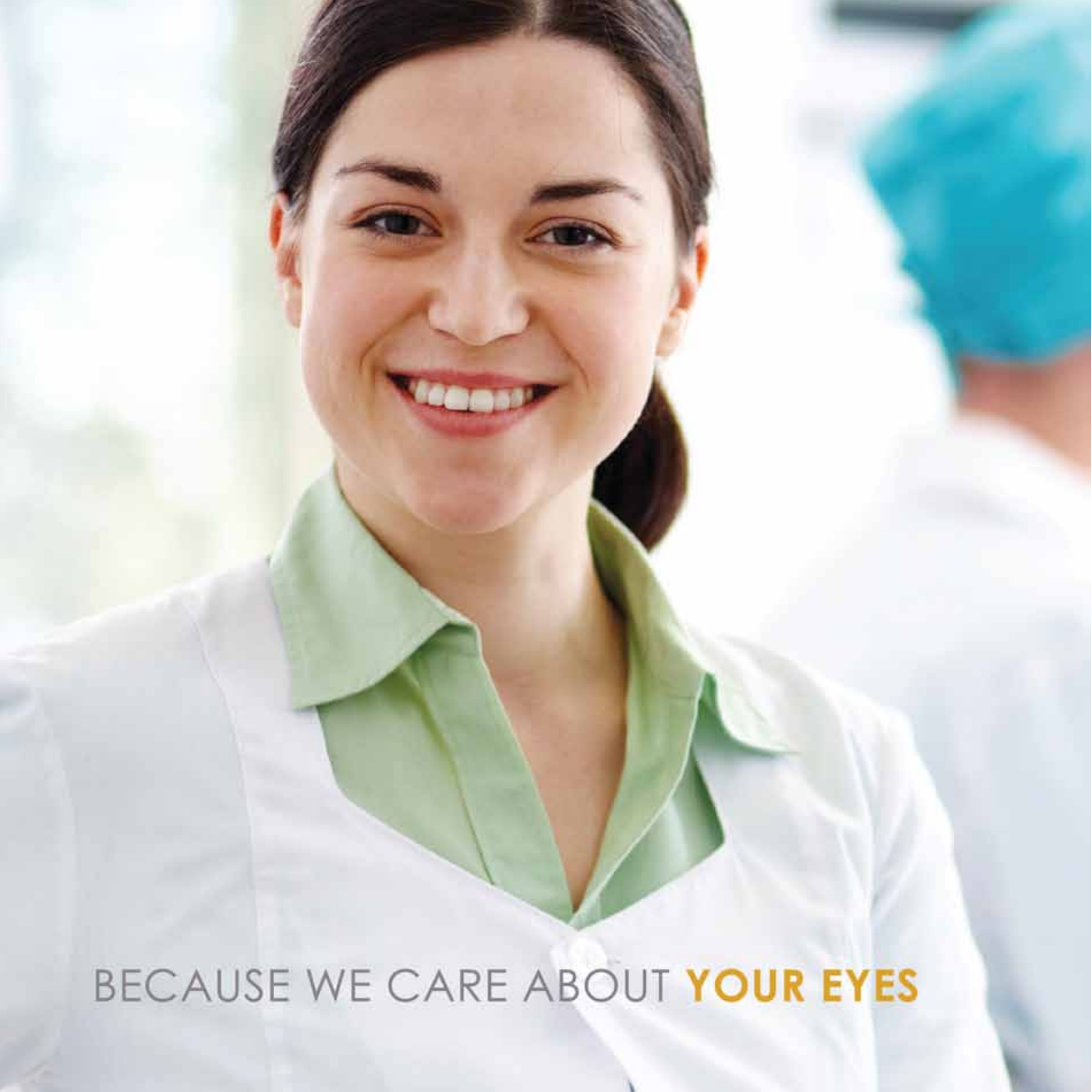
- Can be installed on any 2" Light Post
- 1.70", 1 5/8", 1 1/4" Bushing Available
- Easy to Install



Model:LL-306G – IRIS

Model:LL-305F - Torch





BECAUSE WE CARE ABOUT **YOUR EYES**



light intensity (lux) adjustment



color temperature (Kelvin) adjustment



E.C.S. eye care system



low heat production



no infrared



no UV



3rd axis movement



low noise



low energy consumption



sterilisable handle at 134°C



**FLIGHT**  
DENTAL SYSTEMS

21 Kenview Blvd Unit 9, Brampton, ON, Canada  
[www.flightdentalsystems.com](http://www.flightdentalsystems.com)

Tel: +1-905-799-0517

Email: [Info@flightdentalsystems.com](mailto:Info@flightdentalsystems.com)