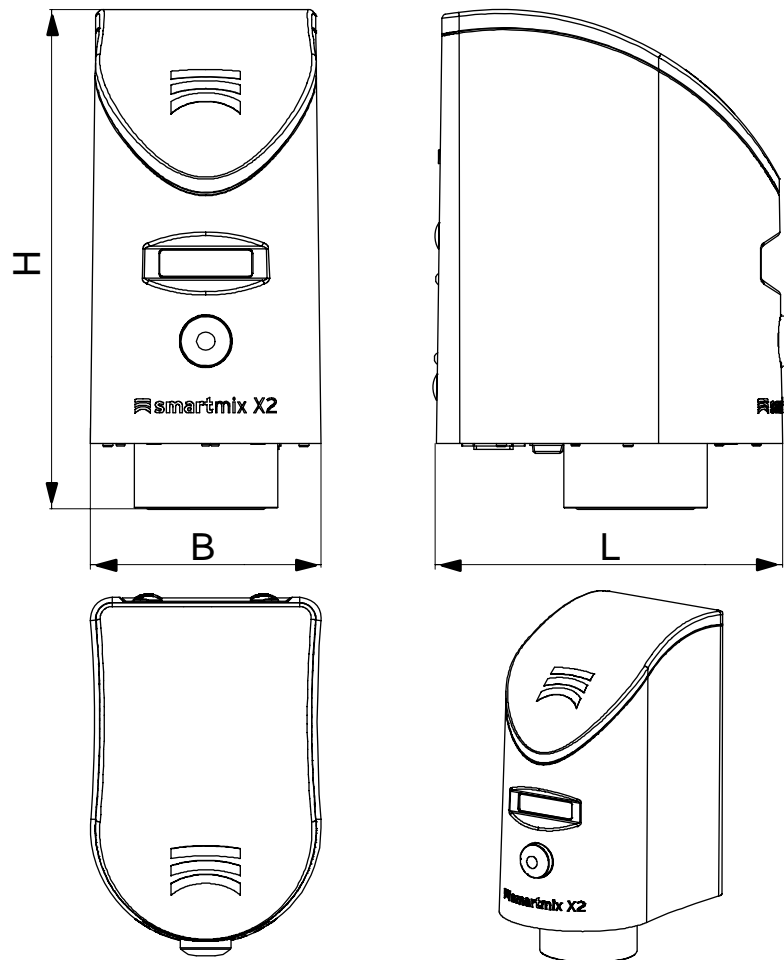


1 Datenblatt / Data Sheet



| | | Gerät Device | inkl. Verpackung incl. Package |
|------------------|----------------|-----------------|-----------------------------------|
| L | Länge / Length | 250 mm | 426 mm |
| B | Breite / Width | 160 mm | 245 mm |
| H | Höhe / Height | 350 mm | 658 mm |
| Gewicht / Weight | | 8,5 kg | 11 kg |

| | |
|---|----------------------|
| Elektr. Anschlußwert / Connection Value | 100/115/230V 50/60Hz |
| E-Sicherung / Fuse | T2,5A |
| Leistung / Power rating | 210 W |
| Motordrehzahl / speed: | 150 - 550 U/min |
| Max. Vakuum / max. vacuum | - 800mbar |
| Leistung Pumpe / pump performance | 15,8L/min |

2 Chronik Smartmix X2 / Chronicle Smartmix X2

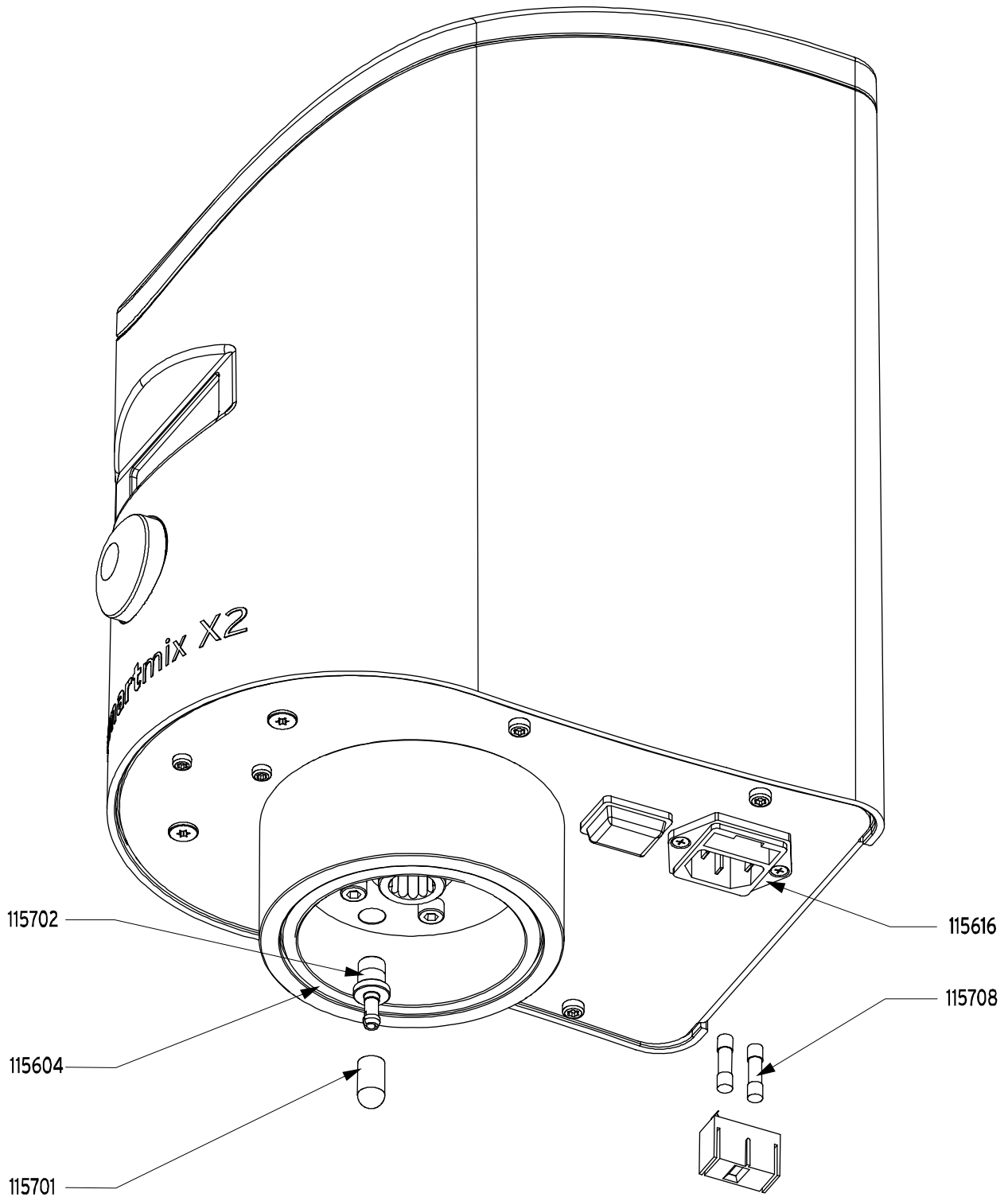
| Seriennummer | Durchgeführte Änderungen | |
|----------------|--------------------------|--|
| AAB00634 - AAB | | |
| | | |
| | | |
| | | |

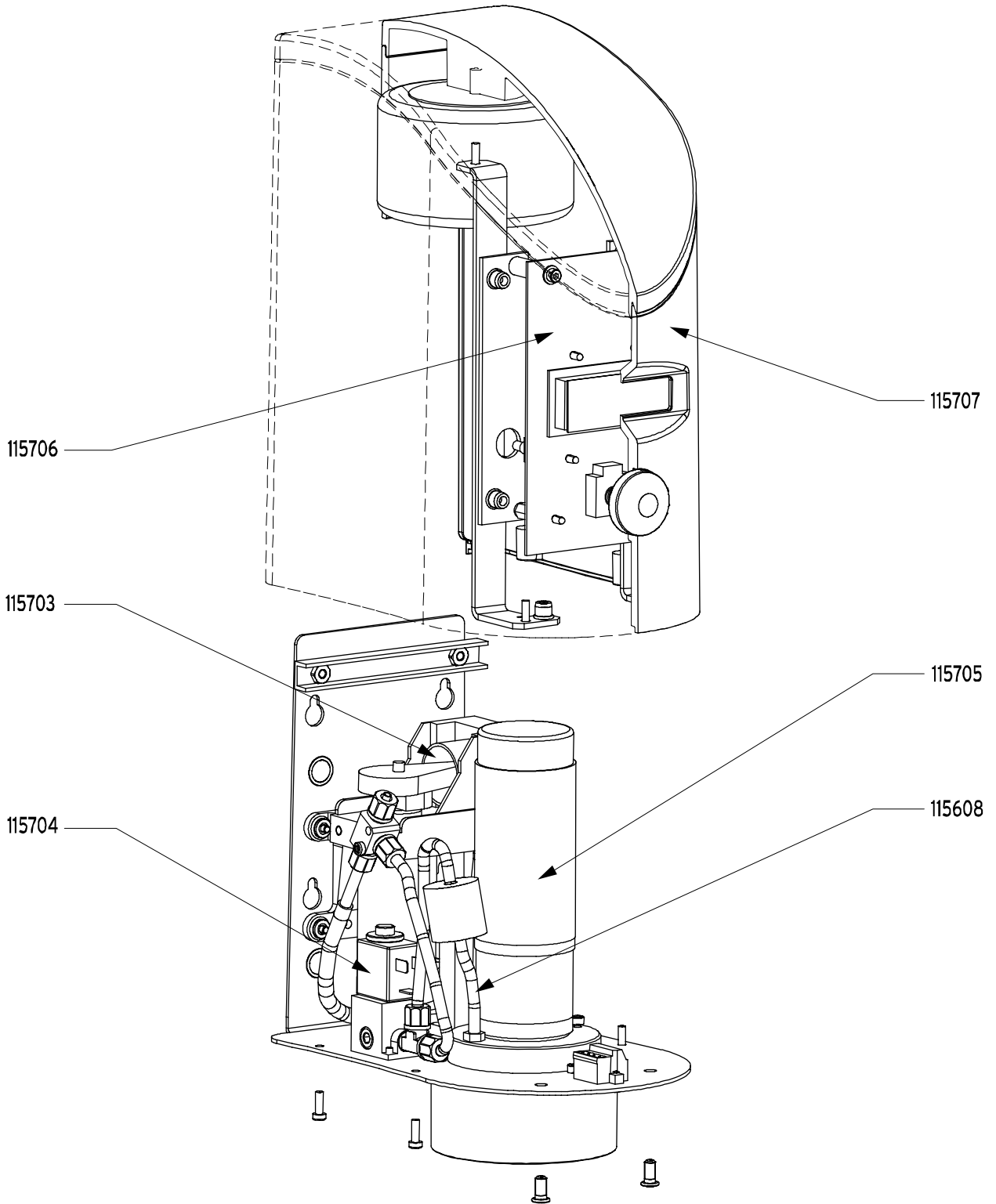
| Serial Number | Modifications | |
|----------------|---------------|--|
| AAB00634 - AAB | | |
| | | |
| | | |
| | | |

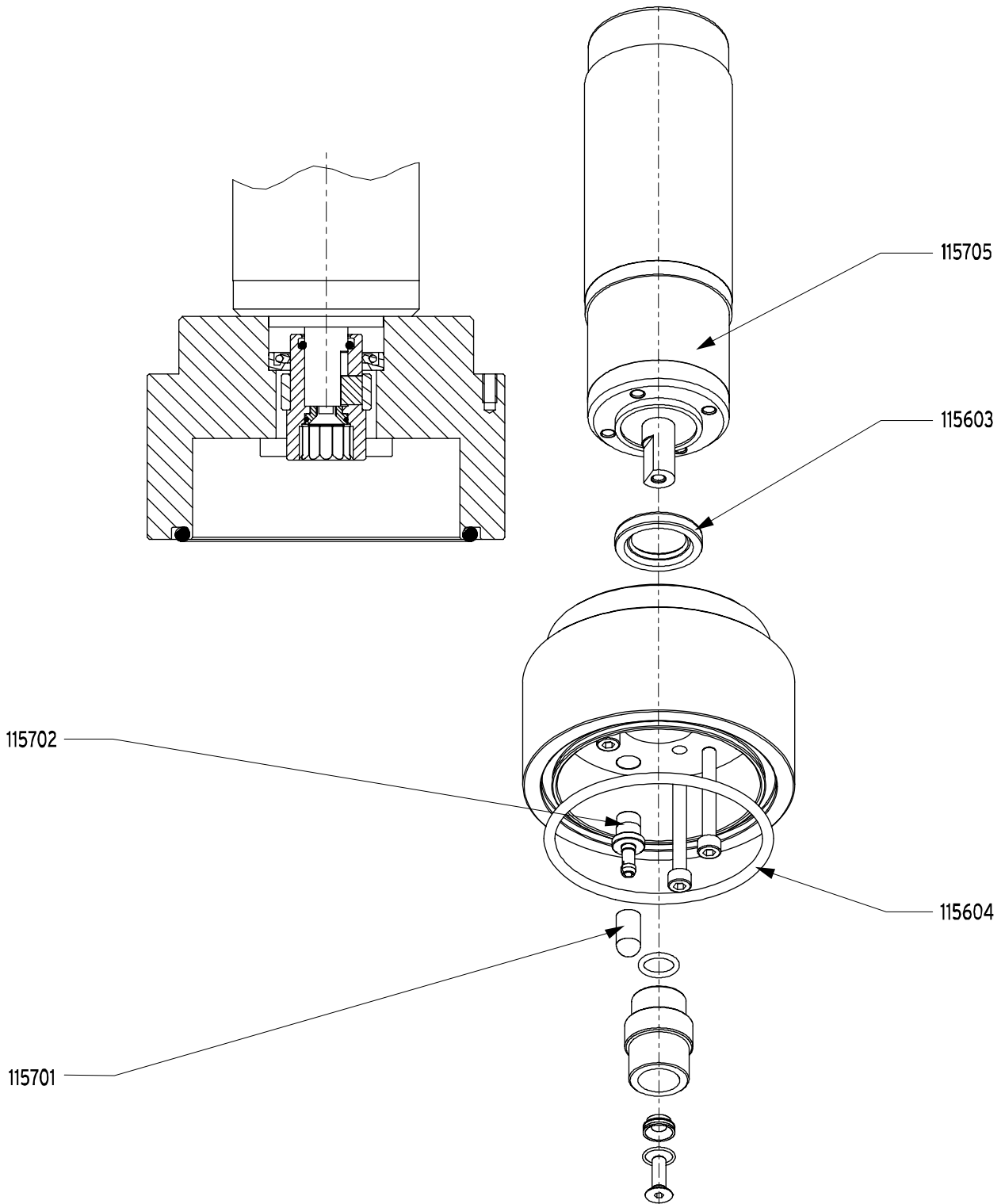
3 Ersatzteile / Spare parts list

| 115700 Smartmix X2 Ersatzteilliste / Spare Parts List | | | Seite / Page | für Ser.Nr. for Ser.No | | | | Stk. Pro Pkg. / Pcs per pack. | Kritischer Teil* / Critical Part* |
|--|---|-------------------------------|--------------|---------------------------|--|--|---|-------------------------------|-----------------------------------|
| Art.Nr. | Bezeichnung | Description | | AAB00634 - AAB | | | | | |
| | * Kritischer Teil - Einbau/Umbau nur durch Servicestelle | | | | | | | | |
| | * Critical Part - Mounting/retrofitting only by Service Point | | | | | | | | |
| 115603 | Wellendichtring | Shaft sealing ring | X | | | | 1 | | |
| 115604 | O-Ring Deckel Rührbecher | O-ring mixing bowl | X | | | | 1 | | |
| 115608 | Druckluftschlauch 650mm | Compressed-air hose | X | | | | 1 | | |
| 115616 | Gerätestecker | Device plug with EMV-noise | X | | | | 1 | | |
| 115620 | Rührbecher inkl. RW 100ml | Beaker w. mixing blade 100ml | X | | | | 1 | | |
| 115621 | Rührbecher 100ml ohne RW | Beaker 100ml without mix. bl | X | | | | 1 | | |
| 115630 | Rührbecher inkl. RW 250ml | Beaker w. mixing blade 250ml | X | | | | 1 | | |
| 115631 | Rührbecher 250ml ohne RW | Beaker 250ml without mix. bl | X | | | | 1 | | |
| 115640 | Rührbecher inkl. RW 500ml | Beaker w. mixing blade 500ml | X | | | | 1 | | |
| 115641 | Rührbecher 500ml ohne RW | Beaker 500ml without mix. bl | X | | | | 1 | | |
| 115650 | Rührbecher inkl. RW 750ccm | Beaker w. mixing blade 750ml | X | | | | 1 | | |
| 115651 | Rührbecher 750ccm ohne RW | Beaker 750ml without mix. bl | X | | | | 1 | | |
| 115660 | Rührbecher inkl. RW 1000ccm | Beaker w.mixing blade 1000ml | X | | | | 1 | | |
| 115661 | Rührbecher 1000ccm ohne RW | Beaker 1000ml without mix. bl | X | | | | 1 | | |
| 115701 | Ersatzfilter | Spare filter | X | | | | 5 | | |
| 115702 | Filterhalterung | Filter holder | X | | | | 1 | | |
| 115703 | Vakuumpumpe 12V | Vacuum pump 12V | X | | | | 1 | | |
| 115704 | Magnetventil 12V | Sol. Valve 12V | X | | | | 1 | | |
| 115705 | Getriebemotor | Gear motor | X | | | | 1 | | |
| 115706 | Print Smartmix X2 | PCB Smartmix X2 | X | | | | 1 | | |
| 115707 | Gehäuse | Housing | X | | | | 1 | | |
| 115708 | Glasrohrsicherung T2,5A/250V | Fuse T2,5A/250V | X | | | | 1 | | |
| 115709 | Verpackung | Packaging | X | | | | 1 | | |

4 Ersatzteile-Kennzeichnung / Spare parts identification







5 Elektr. Anschlussplan / Elect. connection diagramm

